

This Balcony is Manufactured to a standard design using Aluminium Profiles but the basic platform dimensions can be defined by the customer - within reasonable limits.



Balcony with Brackets underneath - with Brackets above

and

a Balcony on Tee Brackets with a Hatch Type Fire Escape Ladder in its Base.

These Balconies can also stand on Columns if required.



# B.A.J. system design Ltd

45 A & B Hartlebury Trading Estate, Hartlebury, Nr Kidderminster, Worcesterhire, DY10 4JB  
Telephone: 01299 250052 Fax: 01299 251153

## Balcony, Brackets, Guard-Rail & Handrail

Description	£
Balcony - { FU } Vertical Balusters	
Balcony - { BP } Horizontal Rails	
Bracket - 60 x 60 cm	
- 70 x 70 cm	
- 80 x 80 cm	
- 100 x 100 cm	
- 120 x 120 cm	
- 180 x 180 cm	
Guard - Rail on Concrete	£ / m
- { BP } type	
- { FU } type	
Handrail to be fixed on wall	£ / m
- Handrail	
Extra for perforated floor plate	£ p.s.m
- Floor plate	

### Additional Costs:

PACKING & DELIVERY

INSTALLATION

Prices quoted are for the supply only. We will be happy to quote for specific installation

SITE VISITS

P.O.A.

V.A.T.

Standard Rate 17.5% will be applied to all prices.

### PAYMENT TERMS:

Payment with Order or by our Standard Credit Terms (nett monthly account), subject to approval.

Prices Quoted are Not Firm and are subject to change without prior notice

Written quotations are available by request and will be firm for 30 days only.

All Goods and/or Services are supplied subject to our Terms & Conditions of Trading

**All goods are supplied on our Terms and Conditions and NOT those of our Customer.**

### **Payment Terms**

#### **Discounts**

We require payment in full with all first orders, thereafter Nett Monthly Account (subject to approval).

Trade / Contract discounts are not offered on first orders and are at the discretion of B.A.J at all times

Main Contractors Discounts are not included for and if required should be added by the contractor to the prices specified.

All prices are Nett and do not allow for retentions. Retentions will not be accepted.

#### **Site Visits**

Are not included for in our price lists and if required will be charged at £30.00 Lump Sum plus £2.00 per mile, chargeable in advance. This charge will be refunded at a rate of 10% of any contract value up to the total site visit charge. Where an overnight stay is necessary this will be added but will not be refundable.

#### **Delivery & Off Loading**

All Deliveries are made by Carrier using a Standard Next Day Service to the address shown on the Customers Order. The Driver is NOT responsible for off-loading the vehicle.

An authorized person must be available at the delivery address to accept the goods and shortages must be reported within 3 days of delivery.

#### **Installation**

Goods are normally supplied for installation by others and Unless specified, installation is not included.

All products should be Installed in accordance with the instructions provided and using the appropriate fixings for the supporting structure.

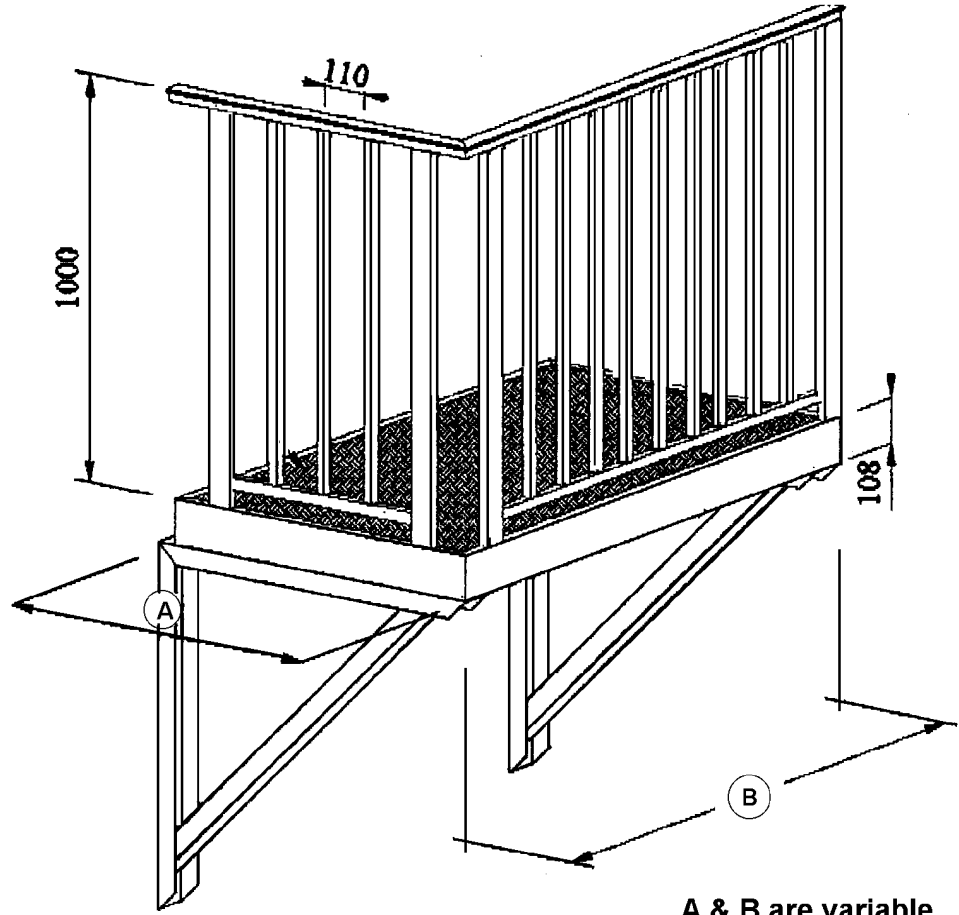
#### **Powder Coating**

Where applicable, any finishes other than anodised aluminium are applied on top of the anodised surface and are only applied to the faces which remain visible when not in operation.

Quotations are based upon the information available at the time of quoting and upon the enquirers specifications unless site measurements have been taken by a representative of B.A.J. All quotations are valid for 30 days to order with a further 30 days for completion unless specified otherwise and do not include V.A.T. or any other Taxes.

#### **Liability**

We will make every effort to comply with our customers delivery requirements and any defects or shortages will be resolved as soon as possible following a customers report, but we do not accept any liability for consequential costs resulting from such problems.



A & B are variable  
to reasonable limits

